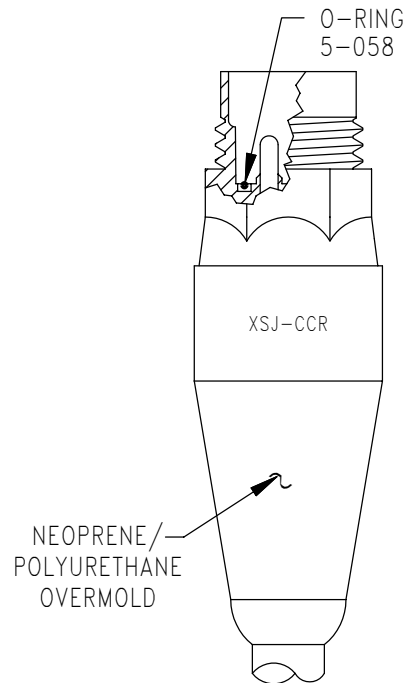
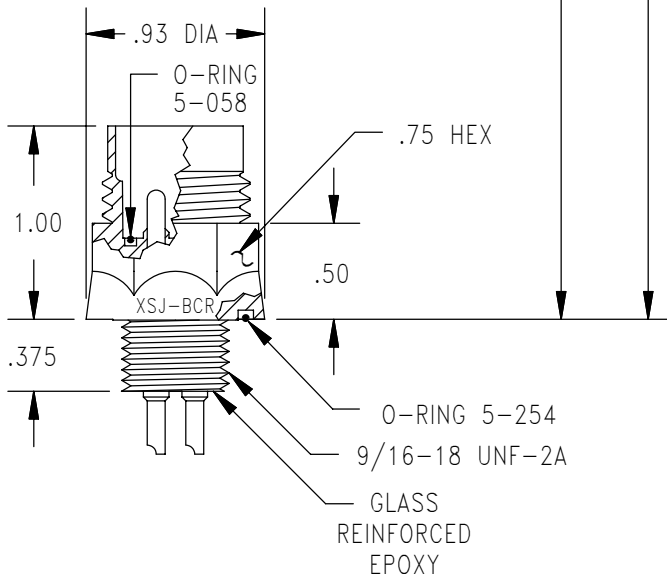
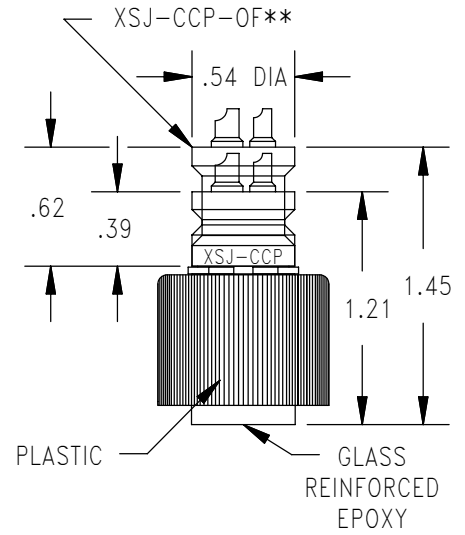
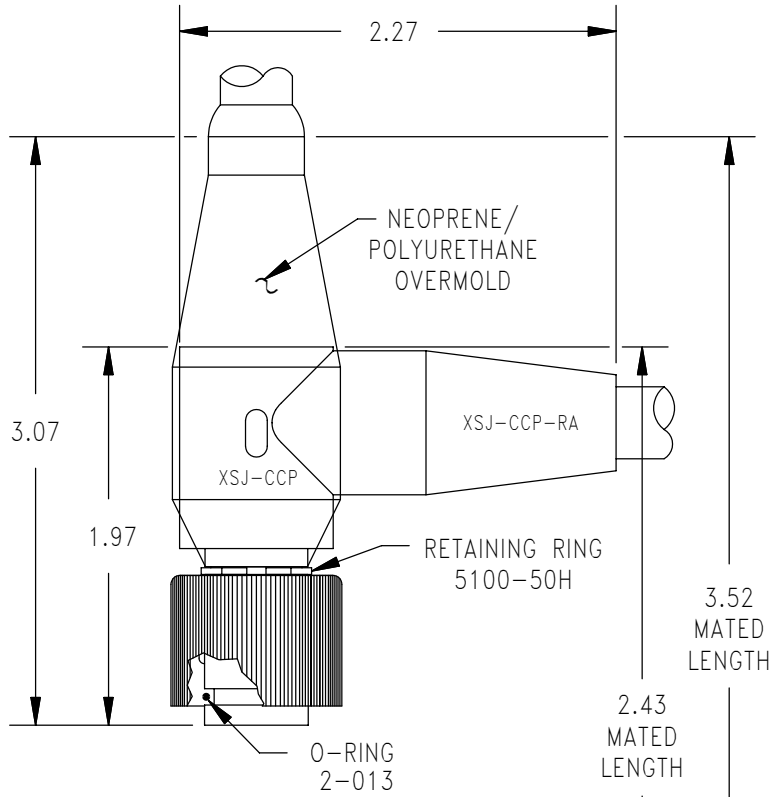
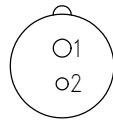


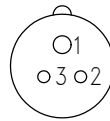
- DESCRIPTION AND MATERIAL
- Molded glass reinforced epoxy.
 - One to 36 contacts.
 - 200 VDC to 600 VDC (higher voltage ratings available upon request).
 - Up to 20,000 PSI in mated condition.
 - Bulkhead connector design open face pressure rated to 5000 psi.
 - Contacts gold plated per MIL-G-45204.
 - XS-CCR/CCP connectors can be overmolded with polyurethane or neoprene.
 - Conductor insulation and jacket material of specified cable determines overmold material.
- CABLE
- Connector's amperage and voltage may be limited by amperage and voltage rating of cable to which connector is molded.
 - This series is not molded to cable unless specified at the time of order.
- USES
- Medium duty applications.
 - Hazardous environment.
 - Power transmission.
 - Signal telemetry.
 - CCR used in a variety of environments where cable to cable connection is necessary.
- GUIDELINES
- All mounting surfaces require a 32 finish.
 - Do not exceed mounting torque specifications.
 - Align indexes.
 - Use in areas not subject to high impact to avoid chipping and cracking.
 - Keep o-ring grooves clean.
 - Avoid o-ring cuts and nicks.
 - Lubricate o-rings with Dow Corning #111 Valve Lubricant or equivalent.
 - Replace o-rings when re-using connectors.
 - Avoid contact with noxious solvents.
 - Elastomers can be seriously degraded if exposed to direct sunlight or high ozone levels for extended periods of time.



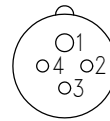
CONTACT
CONFIGURATION
(BCR FACE VIEWS)



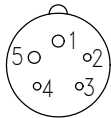
1#14
1#16
600 VDC



1#14
2#16
600 VDC



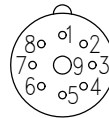
1#14
3#16
300 VDC



2#16
3#20
300 VDC



1#16
6#20
300 VDC



1#14
8#20
300 VDC



10#20
300 VDC

MOUNTING TORQUE FOR XSJ-BCR	not to exceed 20 in lbs	MATED PRESSURE RATING (psi)	10,000
DUMMY PLUG FOR XSJ-BCR/CCR	XSJ-* -SCP	DUMMY PLUG FOR XSJ-CCP	XSJ-SCR
<p>NOTE: CCP/CCR are not terminated to cable unless specified. * Please specify number of contacts. ** Extended backshell for Oil Filled assemblies.</p>			