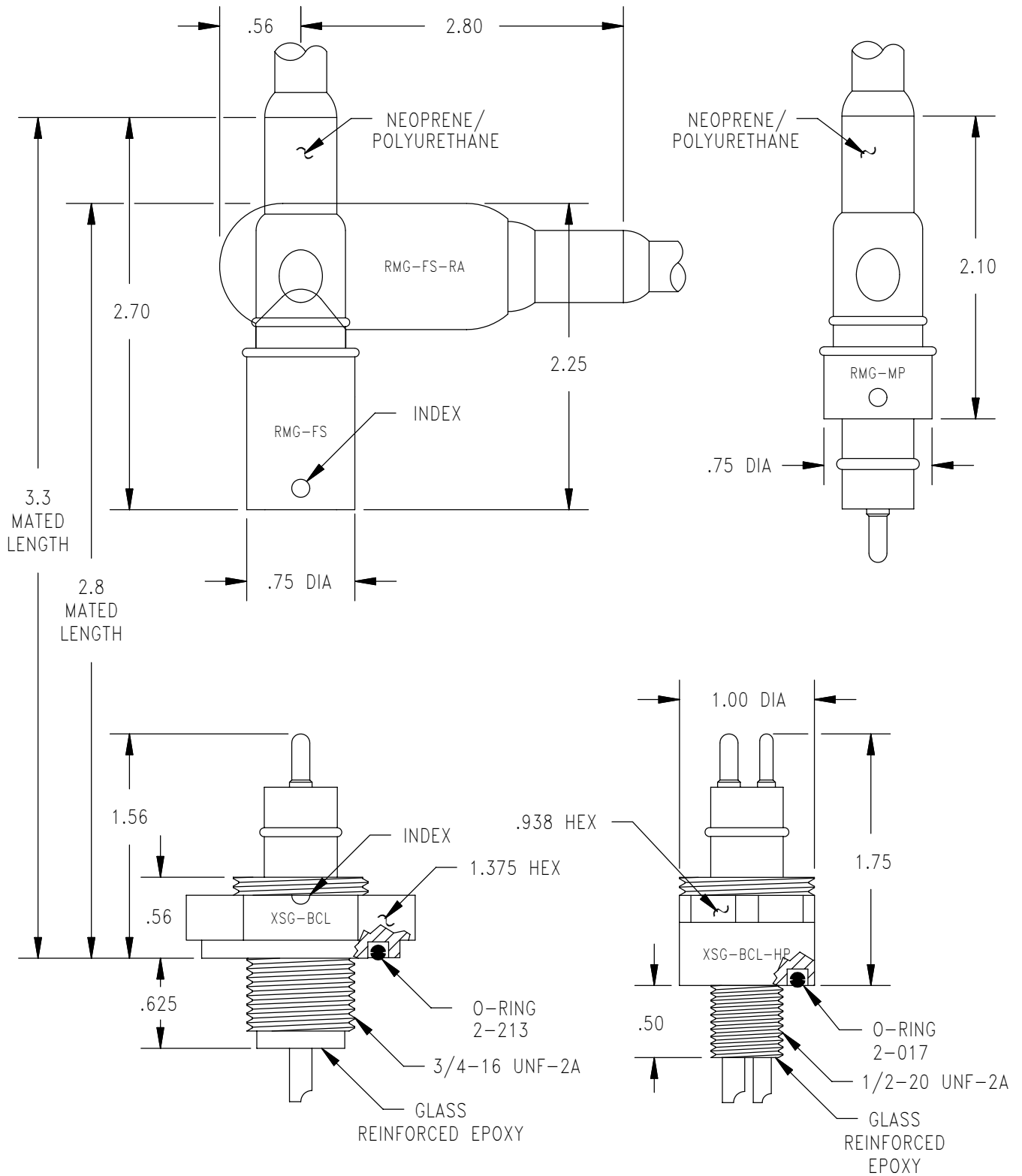
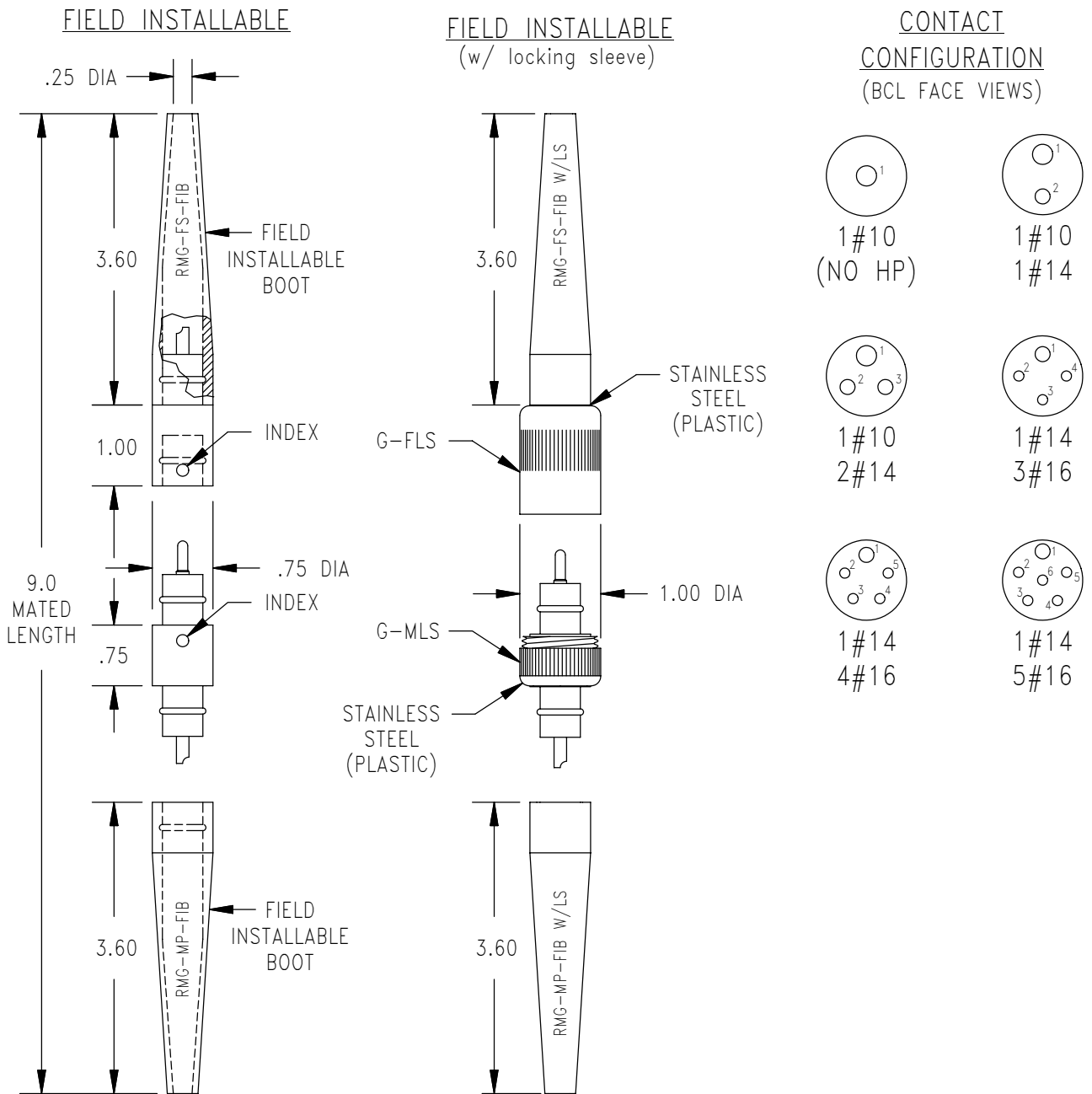


---

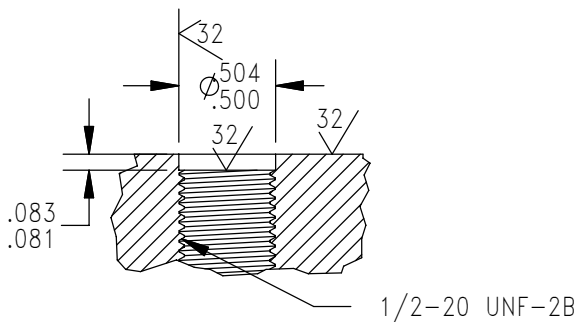
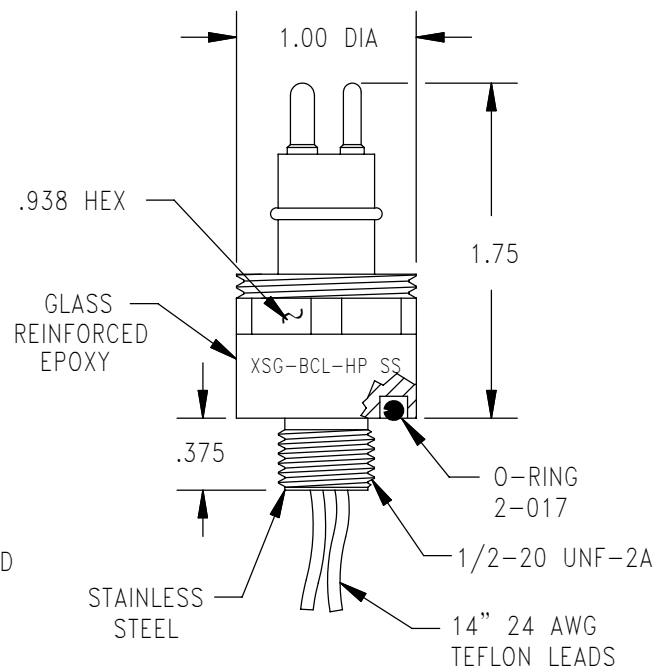
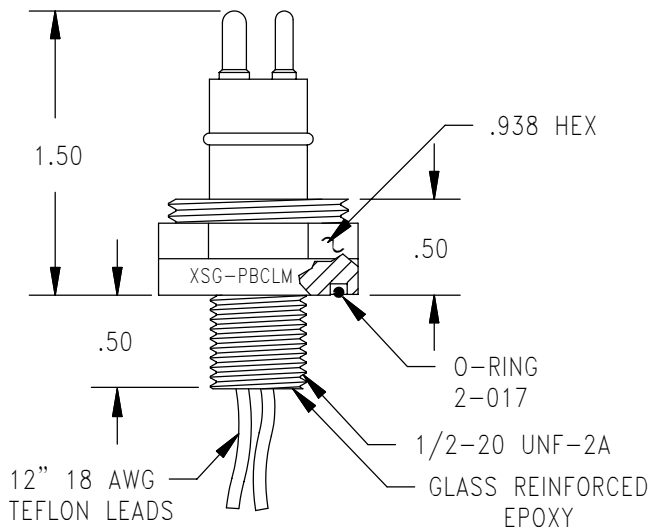
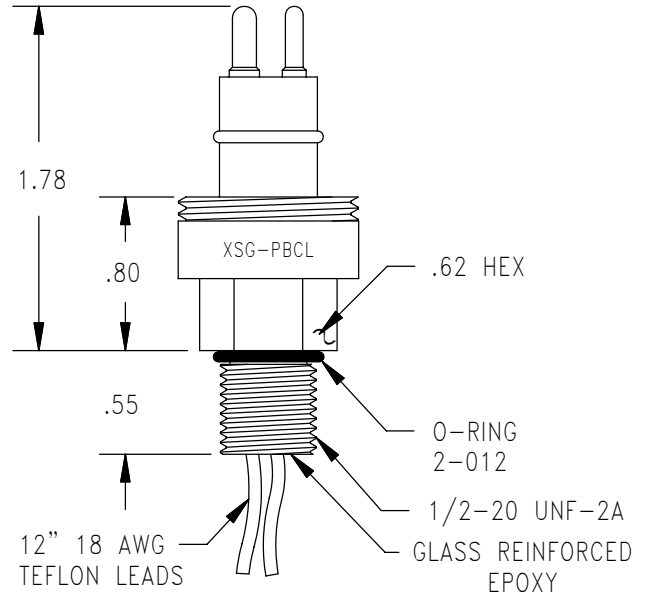
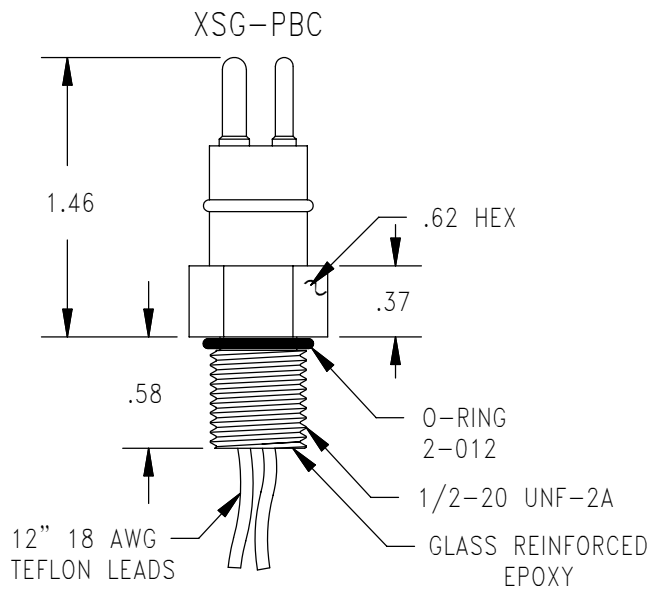
DESCRIPTION AND MATERIAL	<ul style="list-style-type: none"><li>•Molded neoprene or polyurethane (for G-size) inline connectors and glass reinforced epoxy, stainless steel or aluminum bulkhead connectors.</li><li>•One to twelve contacts.</li><li>•Up to 600 VDC (For higher voltages, contact factory).</li><li>•Up to 10,000 PSI in mated condition.</li><li>•Bulkhead connector design open face pressure rated to 5000 psi.</li><li>•Contacts gold plated per MIL-G-45204.</li><li>•Field installable connectors with locking sleeve available.</li><li>•Field installable connectors have a removable tapered boot for easy access to solder pots during field installation.</li></ul>
CABLE	<ul style="list-style-type: none"><li>•Connector's amperage and voltage may be limited by amperage and voltage rating of cable to which connector is molded.</li><li>•Inline connectors in this series, except field installables, are provided on a standard 24" length of 18 AWG SO cable unless otherwise specified.(Note:RMA provided on 24" length of 20 AWG)</li></ul>
USES	<ul style="list-style-type: none"><li>•Light to medium duty applications.</li><li>•Hazardous environment.</li><li>•Power transmission.</li><li>•Signal telemetry.</li><li>•FIB – Field installable applications.</li></ul>
GUIDELINES	<ul style="list-style-type: none"><li>•All mounting surfaces require a 32 finish.</li><li>•Accomplish mating with minimum twisting and flexing.</li><li>•Align indexes.</li><li>•Care must be taken not to damage or bend pins in unplugged conditions.</li><li>•FS can trap water (suggest flush with alcohol and blow dry).</li><li>•Lubricate MP mating side with 3M Silicone Spray or Dow Corning #111 Valve Lubricant or equivalent.</li><li>•Lubricate o-rings with Dow Corning #111 Valve Lubricant or equivalent.</li><li>•Avoid o-ring cuts and nicks.</li><li>•Replace o-rings when re-using connectors.</li><li>•Avoid contact with noxious solvents.</li><li>•Elastomers can be seriously degraded if exposed to direct sunlight or high ozone levels for extended periods of time.</li></ul>



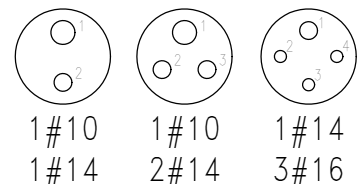
NOTE: 9/16-18 UNF-2A thread with 5/6 pin contact configuration.



MOUNTING TORQUE FOR XSG-BCL	not to exceed 70 in lbs	MATED PRESSURE RATING (psi) FOR XSG-BCL	10,000
MOUNTING TORQUE FOR XSG-BCL-HP	not to exceed 18 in lbs	MATED PRESSURE RATING (psi) FOR XSG-BCL-HP	10,000
DUMMY PLUG FOR XSG-BCL, RMG-MP		DUMMY PLUG FOR RMG-FS	
RMG-*--FSD		LOW PRESSURE < 4,000 psi	RMG-MPD-LP
		HIGH PRESSURE > 4,000 psi	RMG-*--MPD-HP
NOTE: Locking sleeves available in plastic or stainless steel, see Technical Bulletin 20 40. * Please specify number of contacts.			



CONTACT  
CONFIGURATION  
(BCL FACE VIEWS)



**MOUNTING INSTRUCTIONS**

MOUNTING TORQUE FOR XSG-PBC/PBCL/PBCLM	not to exceed 15 in lbs	MATED PRESSURE RATING (psi) FOR XSG-PBC/PBCL/PBCLM	10,000
NOTE: See Technical Bulletin 20 21 for dummy specifications.			